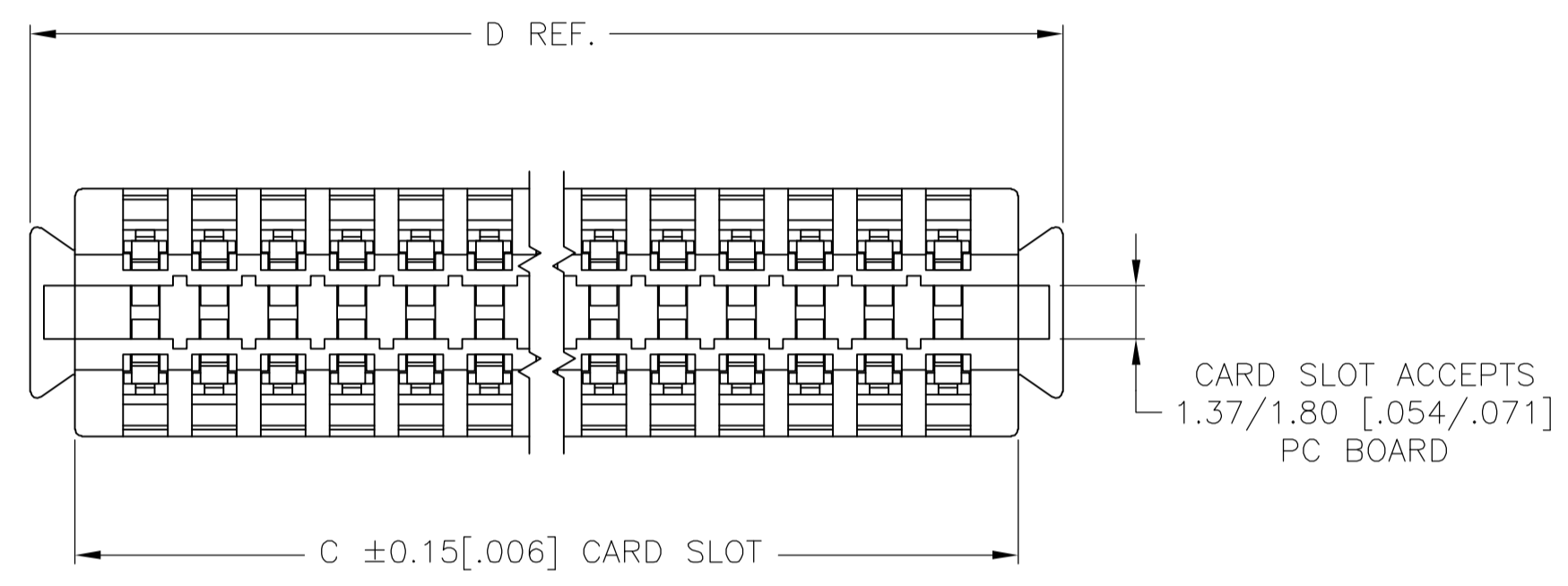
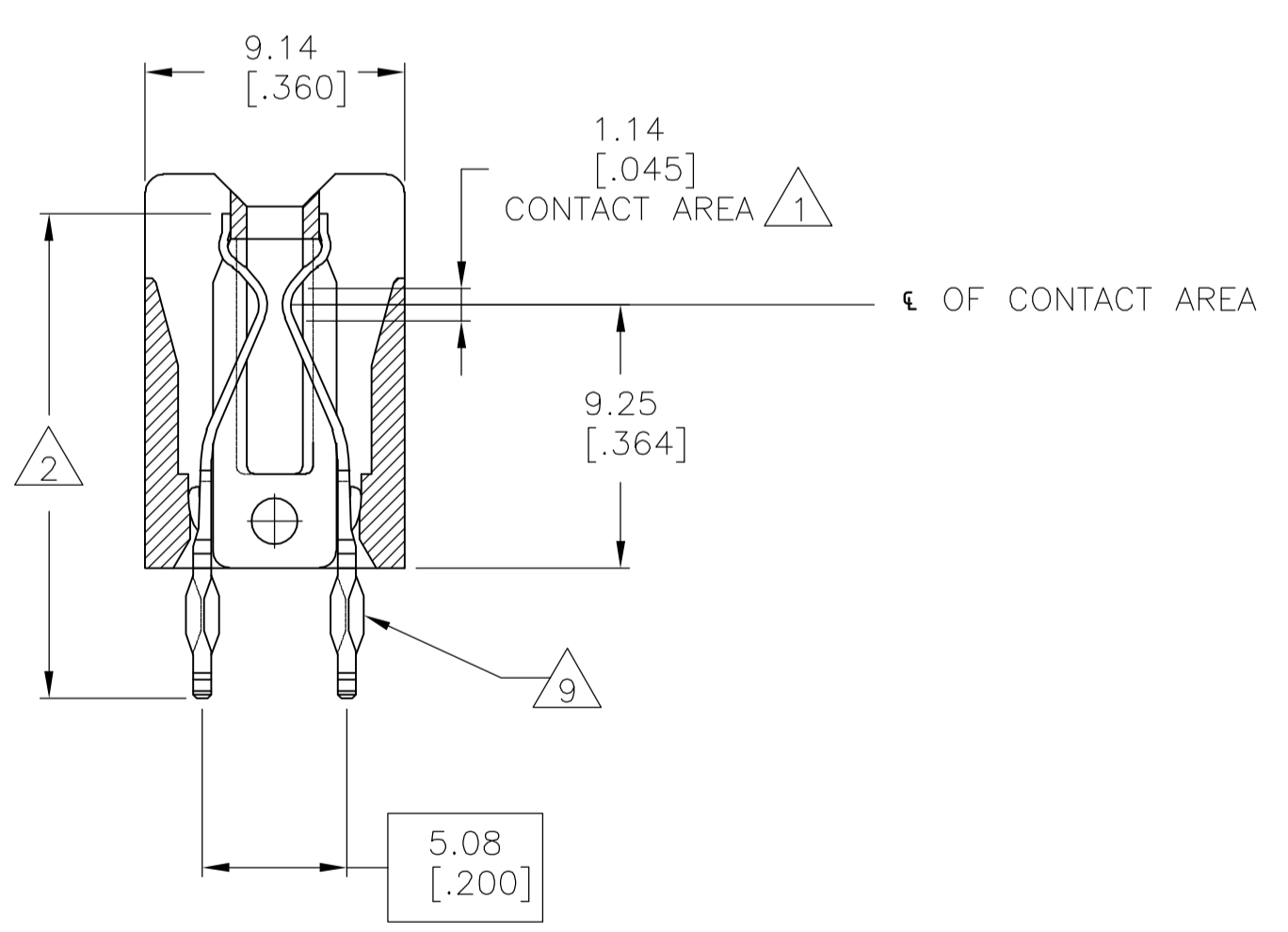
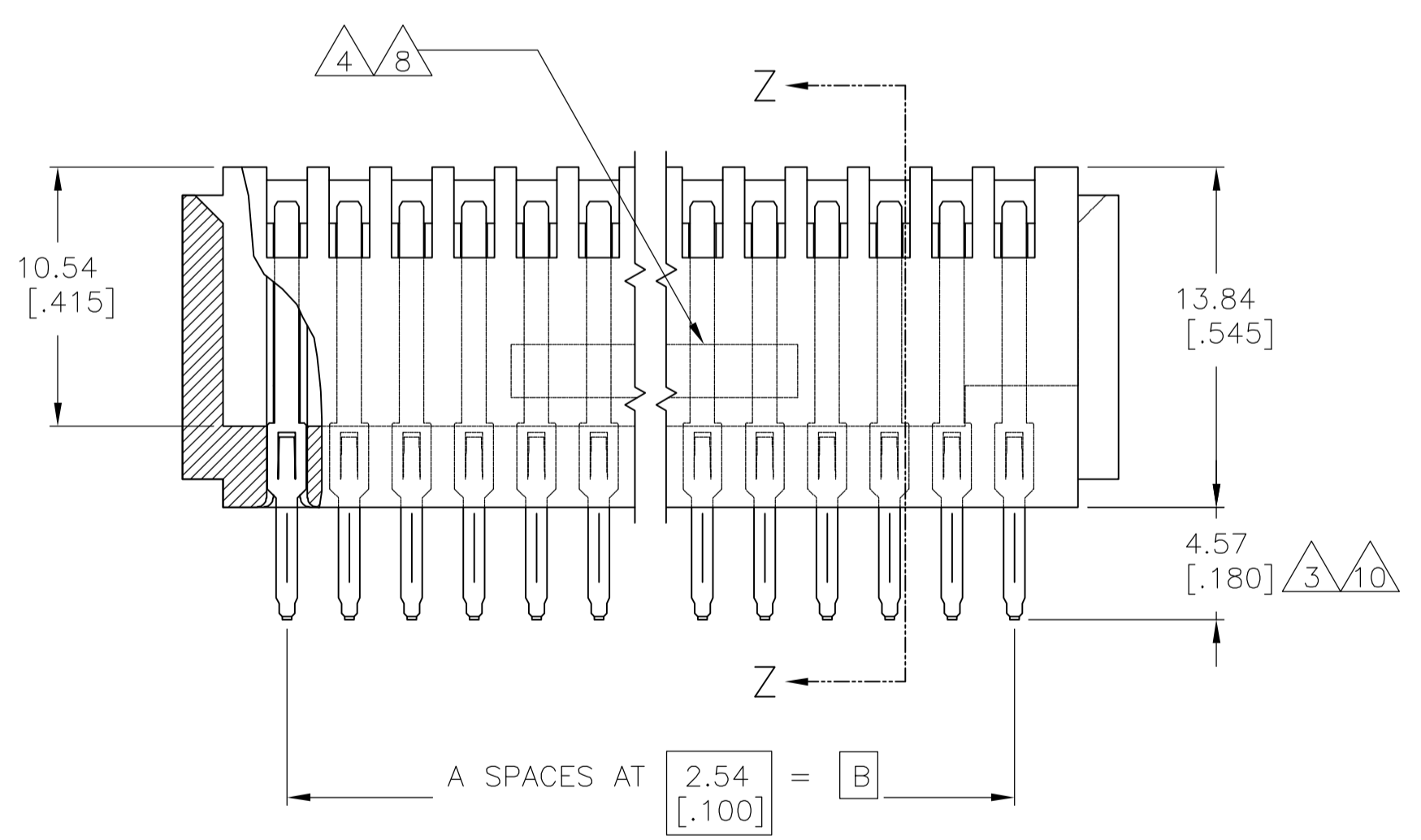


- 1 GOLD PLATE .00076[.000030] MIN. THICK.
- 2 NICKEL PL .00127[.000050] MIN. THK. PER QQ-N-290.
- 3 SOLDER PL .00076[.000030] MIN. THK.
- 4 STAMPED P/N & DATE CODE.
- 5 OPTIONAL: KEYING PLUG FOR INTERCONTACT KEYING IS 118982-1.
- 6 OPTIONAL: CARD GUIDE (BASE NO 117169).
- 7 TOP SURFACE OF P.C BOARD AFTER APPLICATION DUE TO MYLAR THICKNESS.
- 8 ALL PARTS ASSEMBLED IN MEXICO MUST BE STAMPED "ASSY IN MEXICO". THE WORD "MEXICO" CAN BE SUBSTITUTED ONLY WHERE PART SIZE PROHIBITS STAMPING "ASSY IN MEXICO", INK PER 115-9009, APPROX WHERE SHOWN, SIDE OPTIONAL.
- 9 ACTION PIN REQUIRES 2.13[.084] MIN. THK PC BOARD.

| REQ'D DRILL SIZE | HOLE DIA ±.03[.001] | PLATING THICKNESS     |                         | HOLE DIAMETER         |                         | COPPER HARDNESS (KNOOP) | PAD DIA MIN. |
|------------------|---------------------|-----------------------|-------------------------|-----------------------|-------------------------|-------------------------|--------------|
|                  |                     | COPPER                | TIN/LEAD                | AFTER PLATING         | AFTER REFLOW            |                         |              |
| 1.15mm           | 1.15 [.0453]        | 0.03-0.08 [.001-.003] | 0.008 MIN. [.0003] MIN. | 0.94-1.09 [.037-.043] | 0.914-1.09 [.0036-.043] | 150 MAX                 | 1.57 [.062]  |
| 1.15mm           | 1.15 [.0453]        | NOT PLATED THRU       |                         |                       |                         |                         | 1.65 [.065]  |



- 10 MATTE TIN PL .00076[.000030] MIN. THK.



|                |                |                |    |      |            |
|----------------|----------------|----------------|----|------|------------|
| 99.92 [3.934]  | 96.62 [3.804]  | 91.44 [3.600]  | 36 | 37   | 7-650122-3 |
| 87.22 [3.434]  | 83.92 [3.304]  | 78.74 [3.100]  | 31 | 32   | 6-650122-8 |
| 115.16 [4.534] | 111.86 [4.404] | 106.68 [4.200] | 42 | 43   | 2-650122-9 |
| 107.54 [4.234] | 104.24 [4.104] | 99.06 [3.900]  | 39 | 40   | 2-650122-6 |
| 99.92 [3.934]  | 96.62 [3.804]  | 91.44 [3.600]  | 36 | 37   | 2-650122-3 |
| 87.22 [3.434]  | 83.92 [3.304]  | 78.74 [3.100]  | 31 | 32   | 1-650122-8 |
| 56-74 [2.234]  | 53.44 [2.104]  | 48.26 [1.900]  | 19 | 20   | 650122-6   |
| 44.04 [1.734]  | 40.74 [1.604]  | 35.56 [1.400]  | 14 | 15   | 650122-1   |
| D              | C              | B              | A  | POSN | PART NO.   |

THIS DRAWING IS A CONTROLLED DOCUMENT.

|                         |  |           |           |           |                    |           |            |
|-------------------------|--|-----------|-----------|-----------|--------------------|-----------|------------|
| DIMENSIONS: mm [INCHES] | TOLERANCES UNLESS OTHERWISE SPECIFIED: | 0 PLC ± - | 1 PLC ± - | 2 PLC ± - | 3 PLC ± 0.25[.010] | 4 PLC ± - | ANGLES ± - |
|-------------------------|--|-----------|-----------|-----------|--------------------|-----------|------------|

MATERIAL: HOUSING: VALDX 420 SEQ. BLACK  
 CONTACTS: PHOSPHOR BRONZE

FINISH: 1 2 3 10

|   |   |   |
|---|---|---|
| THIS DRAWING IS A CONTROLLED DOCUMENT.<br>H. BAKERMANS 10-FEB-93<br>CHK H. ROSE 7/11/94<br>APVD H. ROSE 7/11/94<br>PRODUCT SPEC<br>APPLICATION SPEC | Tyco Electronics Corporation<br>Harrisburg, Pa 17105-3608<br>NAME: CONNECTOR, AMP PACE .100 X .200<br>SIZE: A1<br>CAGE CODE: 00779<br>DRAWING NO: 650122<br>WEIGHT: -<br>CUSTOMER DRAWING | RESTRICTED TO: -<br>SCALE: 4:1<br>SHEET: 1 OF 1<br>REV: L |
|---|---|---|